

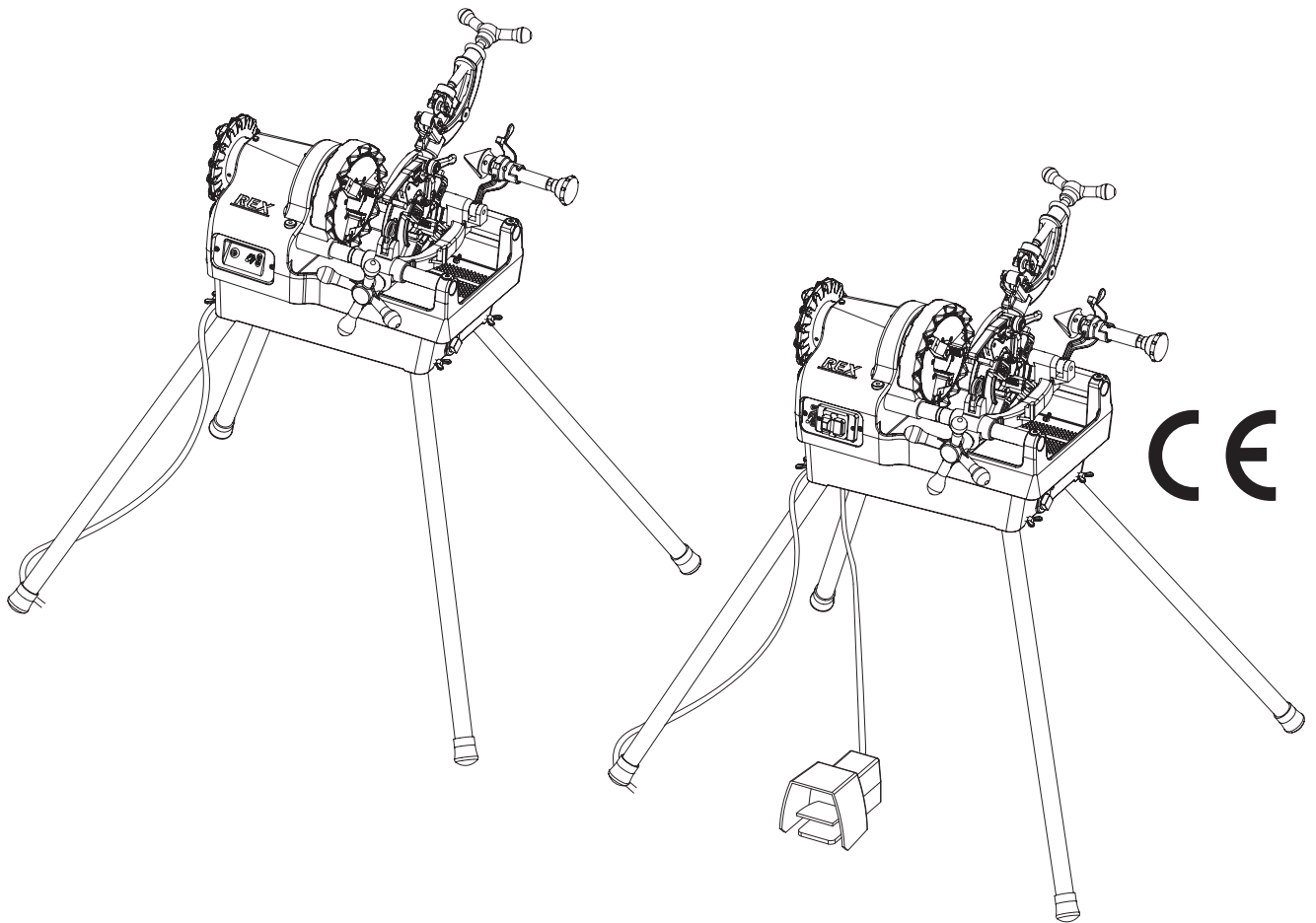
REX

PIPE THREADING MACHINE

NP80A Series

PARTS LIST

As of March 2011

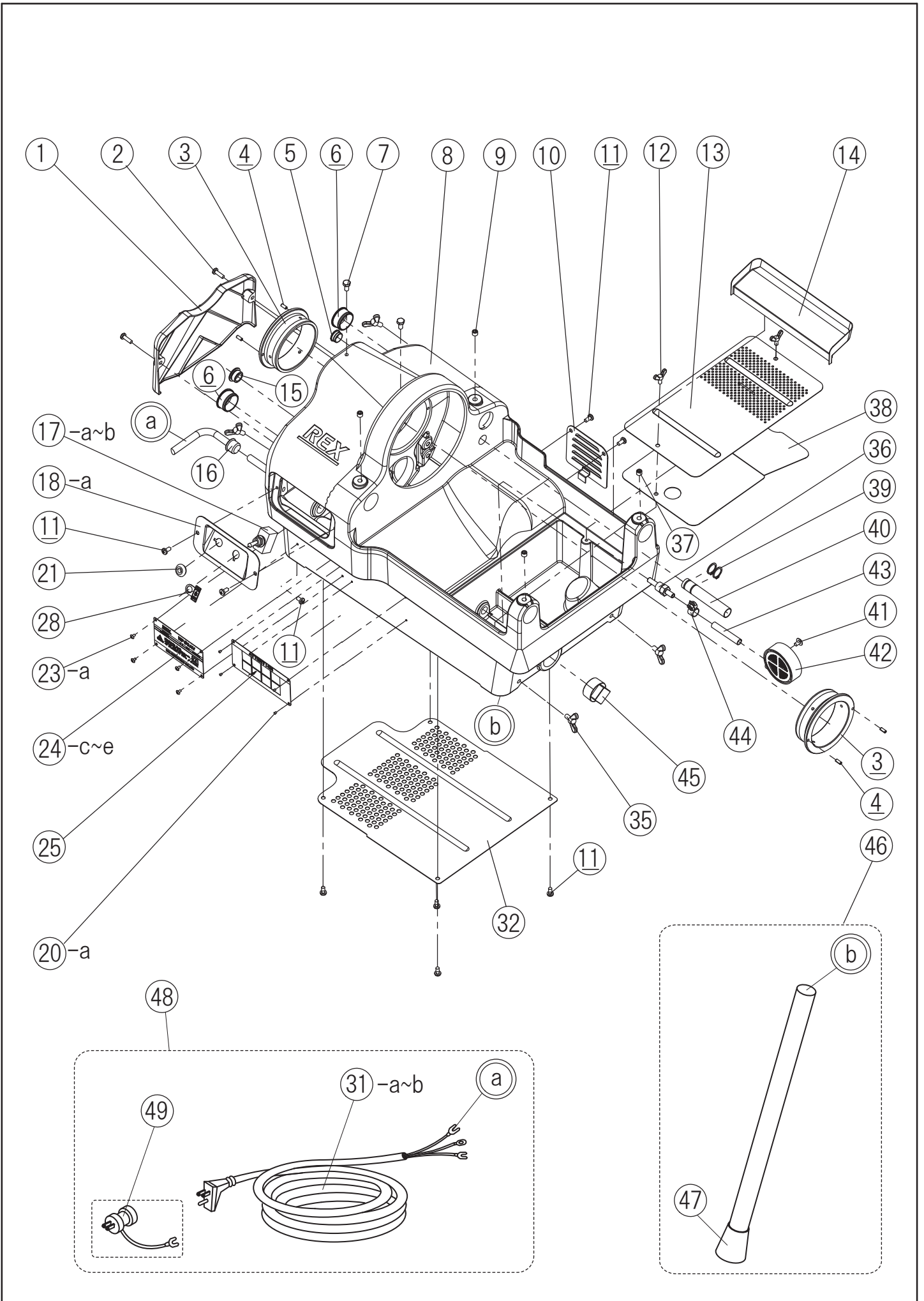


CONTENTS

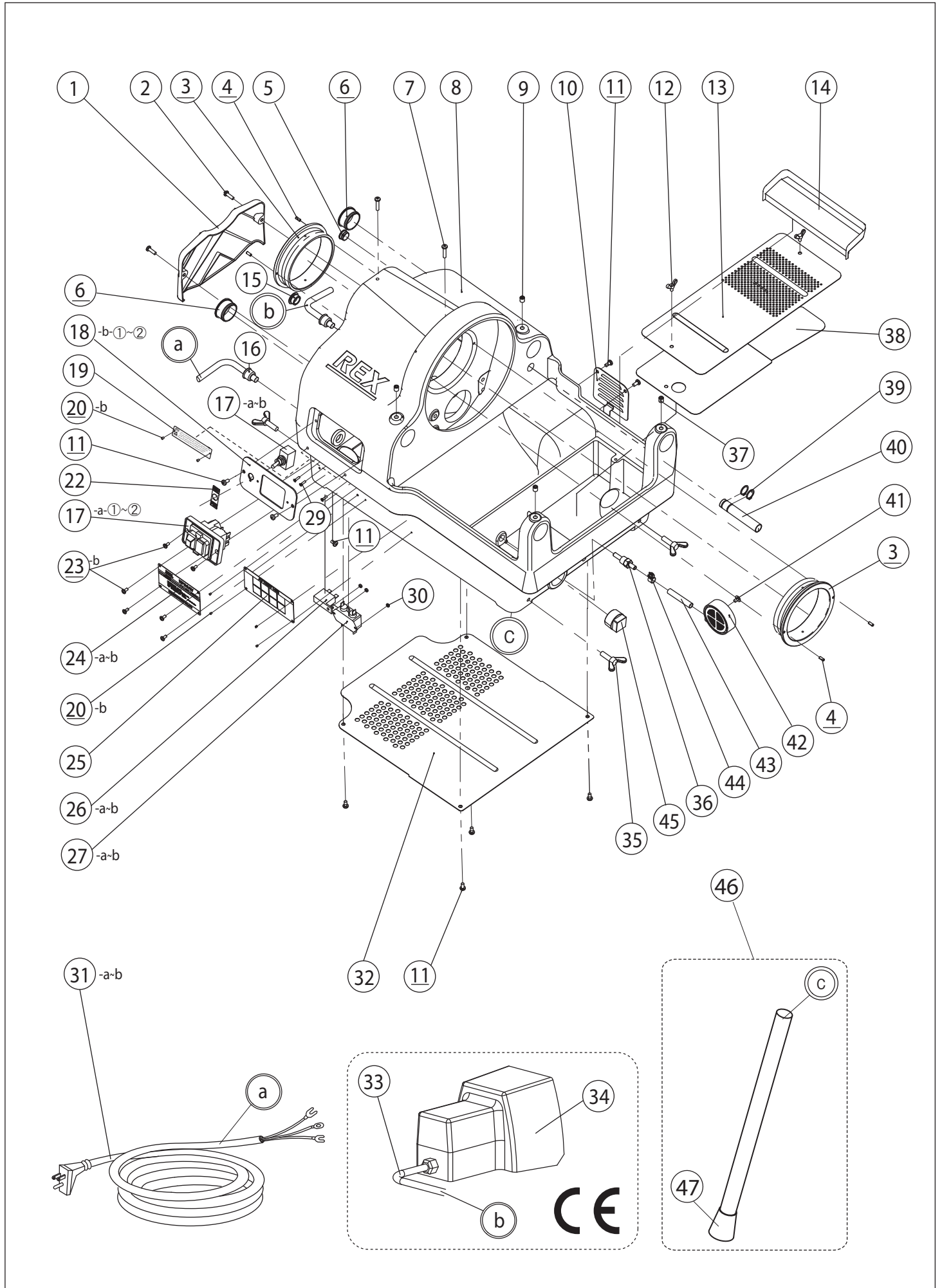
1. BASE (non-CE)
BASE (CE)
2. MAIN SHAFT, MOTOR (*Include CE)
3. MOTOR ASSEMBLY
4. CARRIAGE
5. CUTTER, REAMER

REX

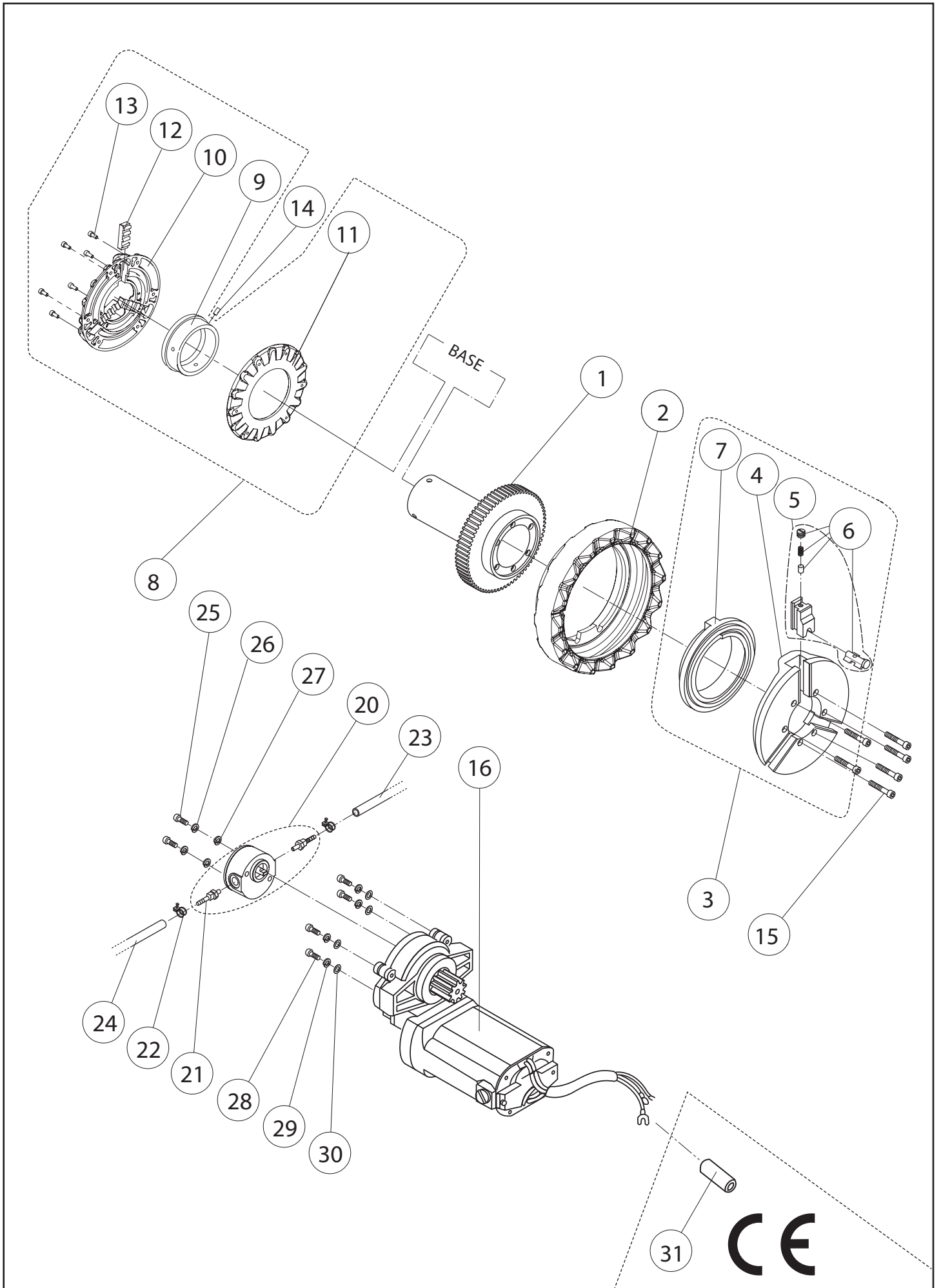
NP80A(non-CE) - 1. BASE



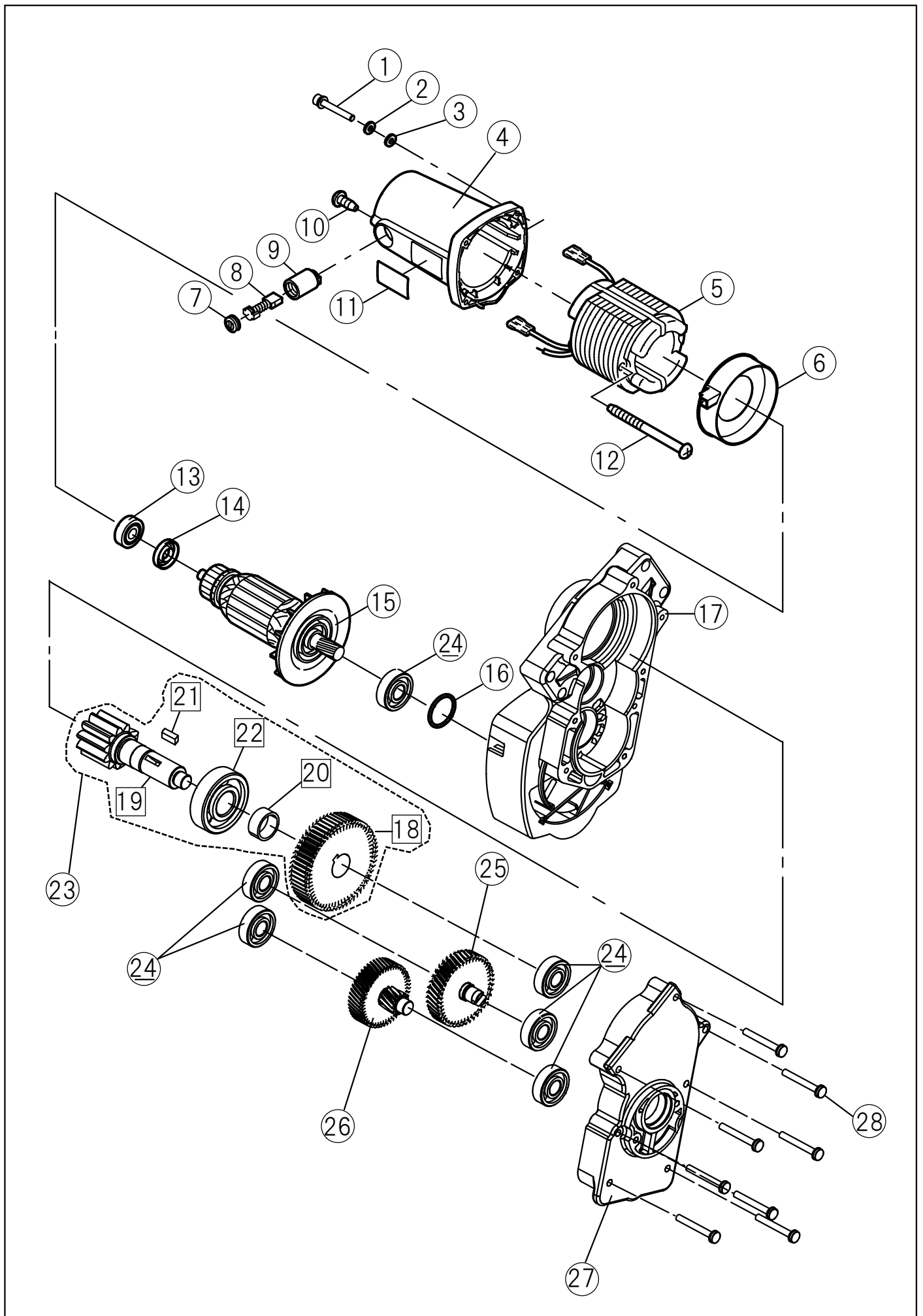
NP80A (CE) - 1. BASE



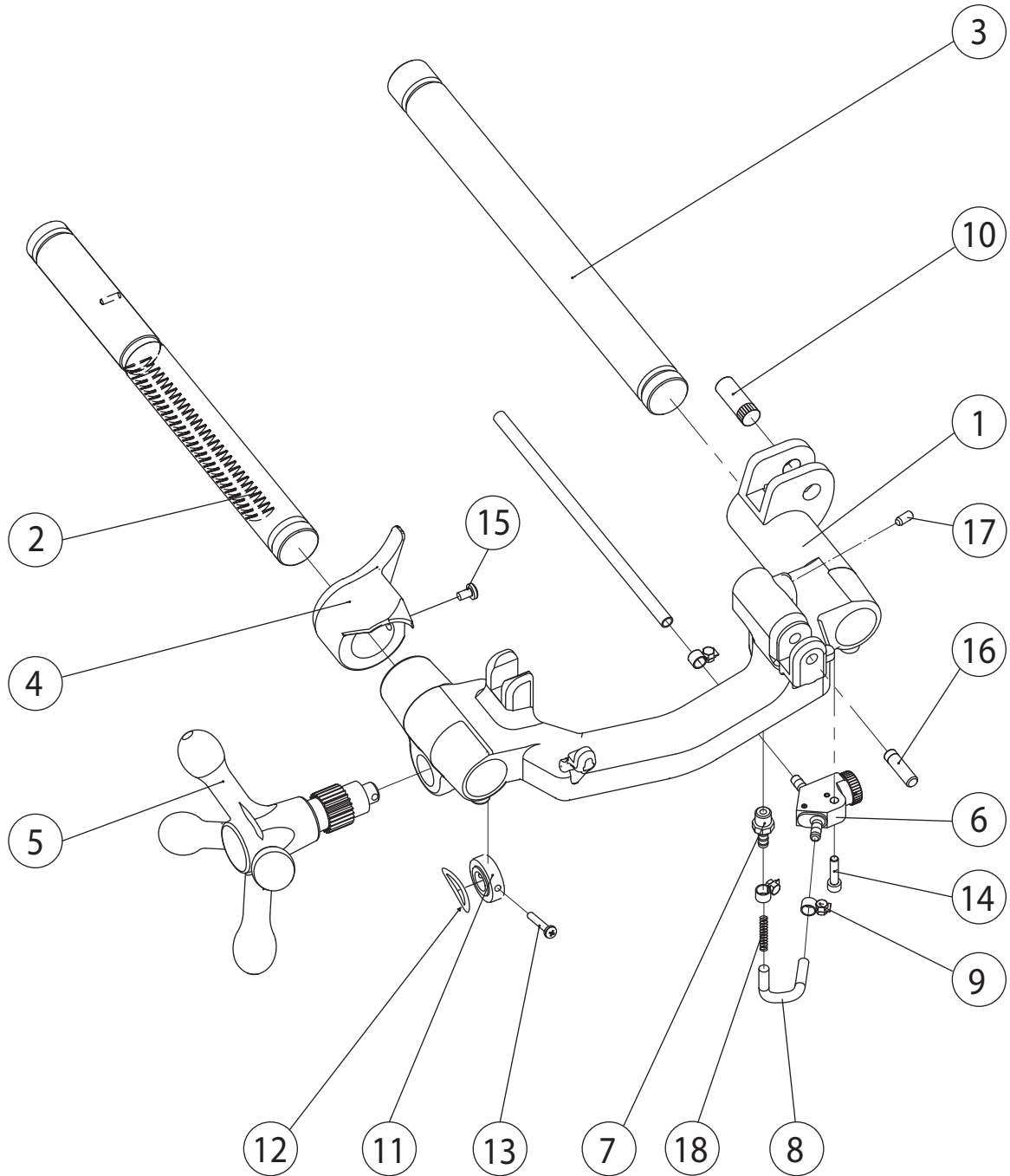
NP80A (*Include CE) - 2. MAIN SHAFT, MOTOR



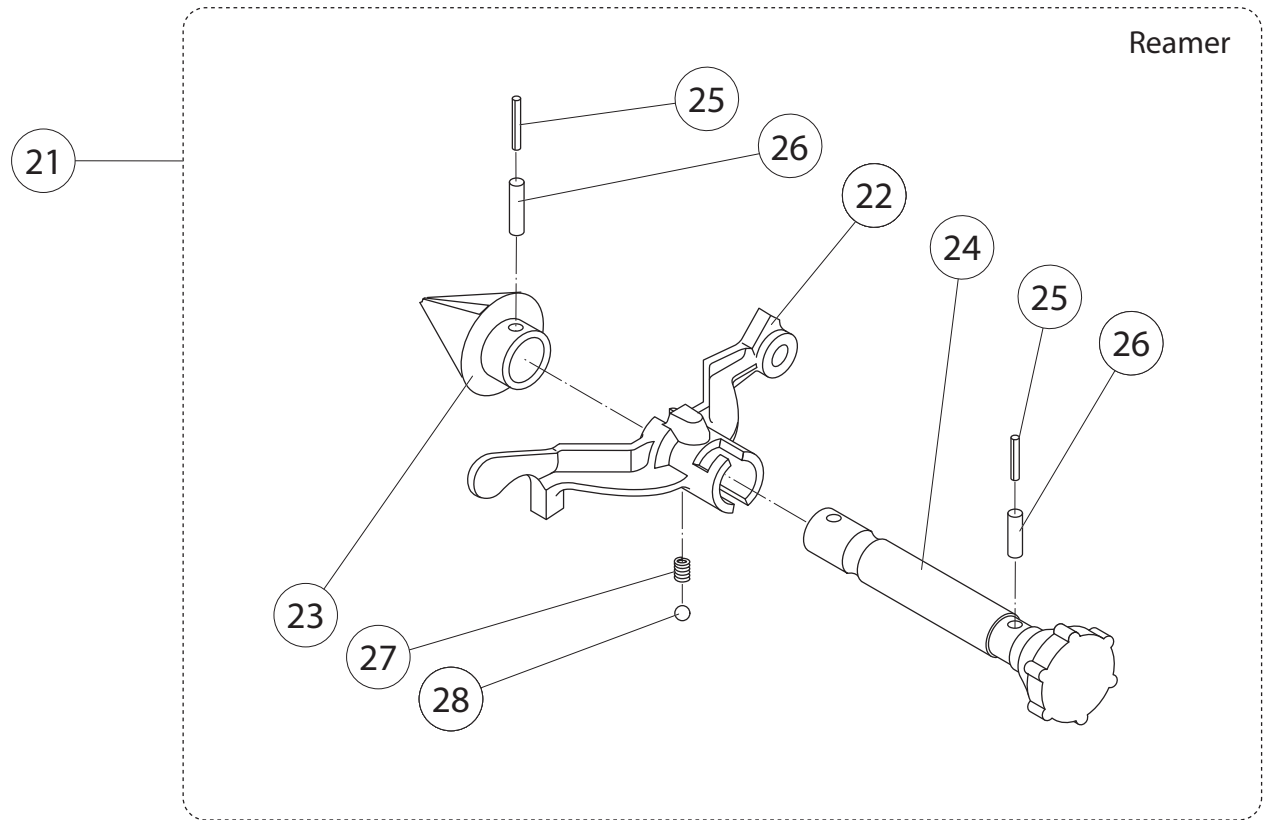
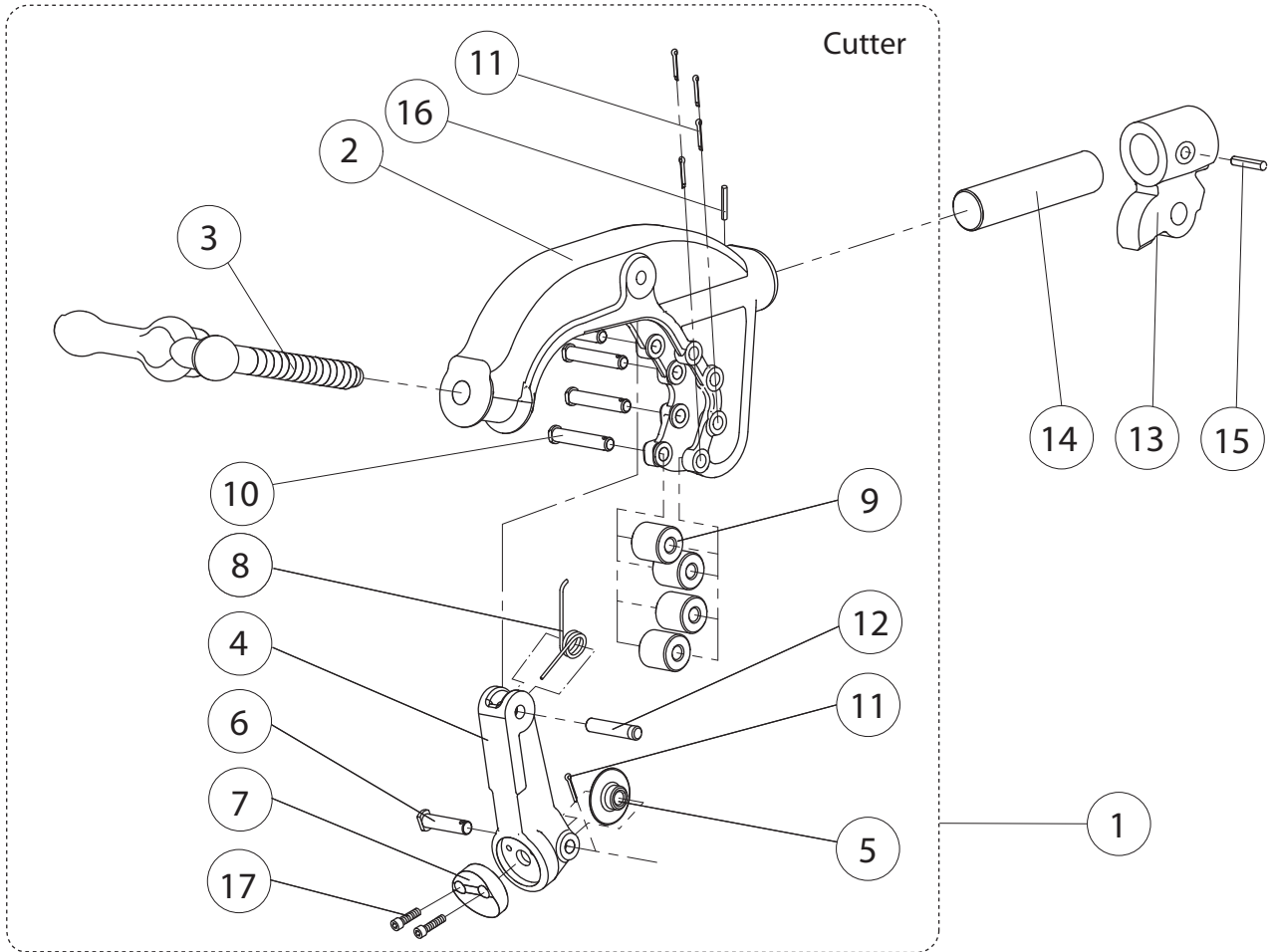
NP80A - 3. MOTOR ASSEMBLY



NP80A - 4. CARRIAGE



NP80A - 5. CUTTER, REAMER



REX

www.rexind.co.jp

REX INDUSTRIES CO., LTD.

Overseas Sales Section & Factory:

1-9-3, Hishiyahigashi, Higashi Osaka 578-0948, Japan.

Tel.: 81-72-961-9820 Fax.: 81-72-961-9878

URL <http://www.rexind.co.jp>

P.L.NP 80A-CE2
1605R 0000

Page No.	Item No.	Page Title	CE	Part No.	Part Name	Spec.	Q'ty	Remarks
1	1	1.BASE		PM61	REAR COVER		1	
1	2	1.BASE		W055	HEXAGONAL SOCKET HEAD CAP SCREW	M5×18	2	
1	3	1.BASE		4905	MAIN SHAFT BEARING		2	
1	4	1.BASE		WL41	ROLL PIN	4×10	4	
1	5	1.BASE		N054	CAP		1	
1	6	1.BASE		PN27	PIPE SUPPORT STOPPER		2	
1	7	1.BASE		J009	GREASE NIPPLE		2	
1	8	1.BASE		PN01	BASE CASTING ASSEMBLY		1	
1	9	1.BASE		W78G	HEXAGONAL SOCKET SET SCREW	CUP POINT M8×16	2	
1	10	1.BASE		PM13	SIDE COVER		1	
1	11	1.BASE		W25F	ROUND HEAD MACHINE SCREW	M5× 8	9	
1	12	1.BASE		WA68	WING BOLT (Type II)	M5×10	2	
1	13	1.BASE		PN13	SCRAP RECEIVER		1	
1	14	1.BASE		N624	OIL PAN		1	
1	15	1.BASE	Yes	PM65	CABLE HOLE CAP	CE	1	
1	16	1.BASE		PM94	CABLE GRAND		1	
1	17-a	1.BASE		MY20C	TOGGLE SWITCH		1	
1	17-a-1	1.BASE	Yes	PM35	ELECTROMAGNETIC SWITCH	230V / CE	1	
1	17-a-2	1.BASE	Yes	PM76	ELECTROMAGNETIC SWITCH	115V / CE	--	
1	18-a	1.BASE		PM32	SWITCH ADAPTER PLATE		1	
1	18-b	1.BASE	Yes	PM40	SWITCH ADAPTER PLATE	CE	1	
1	19	1.BASE	Yes	PM1C	WARNING PLATE FOR EM Switch	CE	1	
1	20a	1.BASE		WN34	RIVET	4×5	4	
1	20b	1.BASE		WN34	RIVET	4×5	6	
1	21	1.BASE	No	PM57	SWITCH HOLE COVER		1	
1	22	1.BASE	Yes	PM75	FWD, REV STICKER	CE	1	
1	23a	1.BASE		W241	ROUND HEAD MACHINE SCREW	M4× 8	4	
1	23b	1.BASE	Yes	W241	ROUND HEAD MACHINE SCREW	M4× 8	6	
1	24-a	1.BASE	Yes	PN34	NAME PLATE - NP80AV/III-CE	not for sale	1	not for sale
1	24-b	1.BASE	Yes	PN33	NAME PLATE - NP80AV-CE	not for sale	--	not for sale
1	24-c	1.BASE		PN32	NAME PLATE - NP80AV/III	not for sale	--	not for sale
1	24-d	1.BASE		PN31	NAME PLATE - NP80AV	not for sale	--	not for sale
1	24-e	1.BASE		PN30	NAME PLATE - NP80A	not for sale	1	not for sale
1	25	1.BASE		PM73	CAUTION PLATE		1	
1	26-a	1.BASE	Yes	PM93	SURGE PROTECTION SWITCH	230V/CE	1	
1	26-b	1.BASE	Yes	PM78	SURGE PROTECTION SWITCH	115V/CE	1	
1	27-a	1.BASE	Yes	PM92	ELECTROMAGNETIC FILTER	230V/CE	1	
1	27-b	1.BASE	Yes	PM77	ELECTROMAGNETIC FILTER	115V/CE	1	
1	28	1.BASE		PM74	ON-OFF STICKER		1	
1	29	1.BASE	Yes	W363F	FLAT HEAD SCREW	M3×12 / CE	3	
1	30	1.BASE	Yes	WC03	NUT	M3 / CE	3	
1	31-a	1.BASE		4082C	CABTYRE CORD	110V	1	
1	31-b	1.BASE		PM58	CABTYRE CORD	220V	1	
1	32	1.BASE		PN12	BOTTOM COVER		1	
1	33	1.BASE	Yes	PM59	FOOT SWITCH WIRE	CE	1	
1	34	1.BASE	Yes	PM79	FOOT SWITCH	115V / 230V / CE / UL	1	
1	35	1.BASE		WA83	WING BOLT	M8×30	4	
1	36	1.BASE		PN37	NIPPLE		1	
1	37	1.BASE		W781	HEXAGONAL SOCKET SET SCREW	CUP POINT M8×8	2	
1	38	1.BASE		PN14	SCRAP RECEIVER B		1	
1	39	1.BASE		WW16	SNAP RING 16		2	
1	40	1.BASE		PM47	OIL TUBE COVER		1	
1	41	1.BASE		WA55	TAPPING SCREW	M5× 8	1	
1	42	1.BASE		N048	STRAINER		1	
1	43	1.BASE		0411-55	OIL LINE TUBE G (STRAINER)	55mm/GREEN	1	PMK6
1	44	1.BASE		ZJ50	PIPE BAND		1	
1	45	1.BASE		WA42	DRAIN PLUG		1	
1	46	1.BASE		N121	PIPE STAND W/N125C leg cap		4	
1	47	1.BASE		N125C	LEG CAP		4	
1	48	1.BASE		4082	CAPTURE CORD SET	115V	1set	incl. 49 / NP80A
1	49	1.BASE		4081	EARTHED ADAPTER		1	incl. 49 / NP80A

Page No.	Item No.	Page Title	CE	Part No.	Part Name	Spec.	Q'ty	Remarks
2	1	2. MAIN SHAFT, MOTOR		02F30	MAIN SHAFT WITH GEAR		1set	
2	2	2. MAIN SHAFT, MOTOR		PN04	HAND WHEEL		1	
2	3	2. MAIN SHAFT, MOTOR		4980	CHUCK COMPLETE SET	K-S	1set	incl. No.4-7
2	4	2. MAIN SHAFT, MOTOR		FH00	CHUCK BODY		1	
2	5	2. MAIN SHAFT, MOTOR		4JCJS	CHUCK JAW SET WITH NO.6	3 / SET	1set	
2	6	2. MAIN SHAFT, MOTOR		70KS	CHUCK JAW INSERT SET	S-type	1set	
2	7	2. MAIN SHAFT, MOTOR		FS00	FRONT SCROLL		1	
2	8	2. MAIN SHAFT, MOTOR		PN05	REAR CHUCK COMPLETE SET		1set	incl. No.9-13
2	9	2. MAIN SHAFT, MOTOR		PN08	REAR SCROLL		1	
2	10	2. MAIN SHAFT, MOTOR		PN07	REAR CHUCK RECEPTACLE		1	
2	11	2. MAIN SHAFT, MOTOR		PN06	REAR CHUCK COVER		1	
2	12	2. MAIN SHAFT, MOTOR		PN09	REAR CHUCK JAW	3pcs. / SET	1set	
2	13	2. MAIN SHAFT, MOTOR		W054	SOCKET HEAD CAP SCREW	M5×15	6	
2	14	2. MAIN SHAFT, MOTOR		WM64	ROLL PIN	C6×14.5	3	
2	15	2. MAIN SHAFT, MOTOR		W07A	SOCKET HEAD CAP SCREW (with knurling)	M7×54	6	
2	16a	2. MAIN SHAFT, MOTOR	No	PM1E	MOTOR	115V R 1000W	1	
2	16b	2. MAIN SHAFT, MOTOR	No	PM1F	MOTOR	115V R/L 1000W	1	
2	16c	2. MAIN SHAFT, MOTOR	Yes	PM1G	MOTOR	115V CE R/L 1000W	1	
2	16d	2. MAIN SHAFT, MOTOR	No	PM1H	MOTOR	230V R 1000W	1	
2	16e	2. MAIN SHAFT, MOTOR	Yes	PM1J	MOTOR	230V CE R/L 1000W	1	
2	16f	2. MAIN SHAFT, MOTOR	Yes	PM1K	MOTOR	230V CE R 1000W	1	
2	17	2. MAIN SHAFT, MOTOR		PMM16	CARBON BRUSH HOLDER		1set	2pcs/set
2	18	2. MAIN SHAFT, MOTOR		PMM10	CARBON BRUSH		1set	2pcs/set
2	19	2. MAIN SHAFT, MOTOR		PMM17	CARBON BRUSH CAP		1set	2pcs/set
2	20	2. MAIN SHAFT, MOTOR		PM30	GEAR PUMP		1	
2	21	2. MAIN SHAFT, MOTOR		1035	JOINT		2	
2	22	2. MAIN SHAFT, MOTOR		ZJ50	PIPE BAND	10mm	2	
2	23	2. MAIN SHAFT, MOTOR		0411-550	OIL LINE TUBE G (INTAKE)	550mm/GREEN	1	PMK8
2	24	2. MAIN SHAFT, MOTOR		0411-700	OIL LINE TUBE G (FEED)	700mm/GREEN	1	PMK7
2	25	2. MAIN SHAFT, MOTOR		W067	HEXAGONAL SOCKET HEAD CAP SCREW	M6×40	2	
2	26	2. MAIN SHAFT, MOTOR		WG06	SPRING WASHER	M6	2	
2	27	2. MAIN SHAFT, MOTOR		WI61	FLAT WASHER	M6	2	
2	28	2. MAIN SHAFT, MOTOR		W08N	HEXAGONAL SOCKET HEAD CAP SCREW	M8×45	4	
2	29	2. MAIN SHAFT, MOTOR		WG08	SPRING WASHER	M8	4	
2	30	2. MAIN SHAFT, MOTOR		WI81	FLAT WASHER	M8	4	
2	31	2. MAIN SHAFT, MOTOR	Yes	PM91	FERRITE	CE	1	

Page No.	Item No.	Page Title	CE	Part No.	Part Name	Spec.	Q'ty	Remarks
3	1	3.MOTOR ASSEMBLY		PMM61	HEX SOCKET HEAD CAP SCREW	M5×30	4	
3	2	3.MOTOR ASSEMBLY		PMM62	SPRING WASHER	M5	4	
3	3	3.MOTOR ASSEMBLY		PMM63	WASHER	5.3×10×1	4	
3	4	3.MOTOR ASSEMBLY		PMM07	MOTOR CASE		1	
3	5a	3.MOTOR ASSEMBLY	No	PMM1E	STATOR ASSEMBLY	115V R 1000W	1	for PM1E
3	5b	3.MOTOR ASSEMBLY	No	PMM1F	STATOR ASSEMBLY	115V R/L 1000W	1	for PM1F
3	5c	3.MOTOR ASSEMBLY	Yes	PMM1G	STATOR ASSEMBLY	115V CE R/L 1000W	1	for PM1G
3	5d	3.MOTOR ASSEMBLY	No	PMM1H	STATOR ASSEMBLY	230V R 1000W	1	for PM1H
3	5e	3.MOTOR ASSEMBLY	Yes	PMM1J	STATOR ASSEMBLY	230V CE R/L 1000W	1	for PM1J
3	5f	3.MOTOR ASSEMBLY	Yes	PMM1K	STATOR ASSEMBLY	230V CE R 1000W	1	for PM1K
3	6	3.MOTOR ASSEMBLY		PMM09	FAN CASING		1	
3	7	3.MOTOR ASSEMBLY		PMM17	CARBON BRUSH CAP		1set	2pcs/set
3	8	3.MOTOR ASSEMBLY		PMM10	CARBON BRUSH	716SD	1set	2pcs/set
3	9	3.MOTOR ASSEMBLY		PMM16	CARBON BRUSH HOLDER		1set	2pcs/set
3	10	3.MOTOR ASSEMBLY		PMM55	TAPPING SCREW (B)	M4×14	2	
3	11	3.MOTOR ASSEMBLY		PMM22	NAME PLATE	115V	1	not for sale
3	11	3.MOTOR ASSEMBLY		PMM23	NAME PLATE	230V	1	not for sale
3	12	3.MOTOR ASSEMBLY		PMM56	TAPPING SCREW (B)	M5×75	2	
3	13	3.MOTOR ASSEMBLY		PMM31	BALL BEARING	#6200LLB	1	
3	14	3.MOTOR ASSEMBLY		PMM32	DUST COLLAR		1	
3	15	3.MOTOR ASSEMBLY		PMM02	ARMATURE	115V	1	for PM1E, PM1F, PM1G
3	15	3.MOTOR ASSEMBLY		PMM50	ARMATURE	230V	1	for PM1H, PM1J, PM1K
3	16	3.MOTOR ASSEMBLY		PMM64	O-RING	S-32	1	
3	17	3.MOTOR ASSEMBLY		PMM03	GEAR CASE		1	
3	18	3.MOTOR ASSEMBLY		PMM11	FINAL GEAR		1	
3	19	3.MOTOR ASSEMBLY		PMM12	FINAL PINION GEAR		1	
3	20	3.MOTOR ASSEMBLY		PMM13	SPACER		1	
3	21	3.MOTOR ASSEMBLY		PMM14	PARALLEL KEY	5×5×14	1	
3	22	3.MOTOR ASSEMBLY		PMM15	BALL BEARING	#6304LLB	1	
3	23	3.MOTOR ASSEMBLY		PMM1S	FINAL GEAR ASS'Y	No.18-22	1set	
3	24	3.MOTOR ASSEMBLY		PMM60	BALL BEARING	#6201LLB	6	
3	25	3.MOTOR ASSEMBLY		PMM2S	SECOND GEAR ASS'Y		1set	
3	26	3.MOTOR ASSEMBLY		PMM3S	FIRST GEAR ASS'Y		1set	
3	27	3.MOTOR ASSEMBLY		PMM04	GEAR COVER		1	
3	28	3.MOTOR ASSEMBLY		PMM65	PHILLIPS PAN SCREW	M5×40	8	

Page No.	Item No.	Page Title	CE	Part No.	Part Name	Spec.	Q'ty	Remarks
4	1	4. CARRIAGE		PN15	CARRIAGE		1	
4	2	4. CARRIAGE		PN02	CARRIAGE SUPPORT BAR A		1	
4	3	4. CARRIAGE		PN03	CARRIAGE SUPPORT BAR B		1	
4	4	4. CARRIAGE		PN11	SECURITY COLLAR		1	
4	5	4. CARRIAGE		PM41	CARRIAGE HANDLE	With FEED GEAR SHAFT	1	
4	6	4. CARRIAGE		PN25	OIL TUBE CONNECTOR		1	
4	7	4. CARRIAGE		1035	JOINT		1	
4	8	4. CARRIAGE		0411-95	OIL LINE TUBE G (CARRIAGE)	95mm/GREEN	1	Old code: PMK9
4	9	4. CARRIAGE		ZJ50	PIPE BAND	10mm	3	
4	10	4. CARRIAGE		1076	CUTTER ARM STOP PIN		1	
4	11	4. CARRIAGE		PN28	FEED GEAR SHAFT COLLAR		1	
4	12	4. CARRIAGE		WH18	WAVE WASHER	18	1	
4	13	4. CARRIAGE		W248	ROUND HEAD MACHINE SCREW	M4× 35	1	
4	14	4. CARRIAGE		W06B	HEXAGONAL SOCKET HEAD CAP SCREW	M6×25	1	
4	15	4. CARRIAGE		PN38	ROUND HEAD MACHINE SCREW	M5×10	1	
4	16	4. CARRIAGE		1096	REAMER HOLDER STOP PIN		1	
4	17	4. CARRIAGE		G861	STOPPER	10mm	1	
4	18	4. CARRIAGE		F033	SPRING			

Page No.	Item No.	Page Title	CE	Part No.	Part Name	Spec.	Q'ty	Remarks
5	1	5. CUTTER, REAMER		0FCU7S	CUTTER COMPLETE SET		1set	
5	2	5. CUTTER, REAMER		PN16	CUTTER FRAME		1	
5	3	5. CUTTER, REAMER		PN19	CUTTER HANDLE WITH FEED SCREW		1	
5	4	5. CUTTER, REAMER		PN17	CUTTER GUIDE		1	
5	5	5. CUTTER, REAMER		135076	CUTTER WHEEL		1	See product list
5	6	5. CUTTER, REAMER		2471	CUTTER PIN	SHORT	1	
5	7	5. CUTTER, REAMER		PN18	CUTTER GUIDE LINK		1	
5	8	5. CUTTER, REAMER		9025	SPRING		1	
5	9	5. CUTTER, REAMER		5074	CUTTER ROLLER		4	
5	10	5. CUTTER, REAMER		5079	CUTTER PIN	LONG	4	
5	11	5. CUTTER, REAMER		WN12	SPRING COTTER	#2.3×15	5	
5	12	5. CUTTER, REAMER		9027	CUTTER GUIDE PIN		1	
5	13	5. CUTTER, REAMER		PN20	CUTTER ARM		1	
5	14	5. CUTTER, REAMER		PN21	CUTTER ARM SHAFT		1	
5	15	5. CUTTER, REAMER		WL90	ROLL PIN	Φ8×40	1	
5	16	5. CUTTER, REAMER		4072	CUTTER FRAME STOP PIN		1	
5	17	5. CUTTER, REAMER		W053	HEXAGONAL SOCKET HEAD CAP SCREW	M5×12	2	
5	21	5. CUTTER, REAMER		0FRM5S	REAMER COMPLETE SET		1	
5	22	5. CUTTER, REAMER		PN22	REAMER ARM		1	
5	23	5. CUTTER, REAMER		PN23	REAMER CONE		1	
5	24	5. CUTTER, REAMER		PN24	REAMER SHAFT WITH HAND GRIP		1	
5	25	5. CUTTER, REAMER		WLA2	ROLL PIN	4.75×45	2	
5	26	5. CUTTER, REAMER		WL87	ROLL PIN	8×45	2	
5	27	5. CUTTER, REAMER		5096	SPRING	8×10	1	
5	28	5. CUTTER, REAMER		WQ08	STEEL BALL	8	1	